

# Cougar Series Industrial Panel PC



## Features:

- 15.0" XGA 1024 x 768 color TFT LCD computer
- Front bezel is NEMA 4/12 & IP65 compliant
- Strengthened glass or resistive touchscreen protects LCD panel from scratch
- Aluminum panel with heavy duty steel chassis

## Specifications

- **CPU:**  
VIA EDEN 667MHz CPU
- **Memory:**  
Supports up to 512MB SDRAM
- **Display:**  
15" XGA (1024 x 768) TFT color LCD
- **Graphic Controller:**  
VIA VT8606 integrated Savage4 AGP  
4X Graphic with 32MB shared memory
- **Network (LAN):**  
Realtek RTL 8139B 10/100 Base-T Ethernet controller. (Optional 802.11b wireless available)
- **Power Supply:**  
100 ~ 230VAC Input External Power Brick
- **Audio Interface:**  
Line out, Mic., Line-in
- **I/O Ports:**  
3 x RS-232, 1 x RS-232/422/485 ports  
2 parallel port (supports ECP/EPP)  
1 PS/2 keyboard interface  
1 PS/2 mouse interface  
Dual USB ports
- **Watchdog Timer:**  
Generates system reset; 16 levels
- **Solid State Disk Interface:**  
One socket supports 2MB~144MB  
M-System Disk on Chip
- **Compact Flash Socket:**  
Yes
- **Mounting:**  
75 x 75 mm VESA mount

## LCD

- **Display Type:**  
15.0" color TFT LCD display
- **Max. Resolution:**  
1024 x 768
- **Dot Size (mm):**  
0.297 x 0.297
- **Luminance (cd/m2):**  
250 nits
- **Viewing Angle:**  
75° (R), 75° (L), 70° (Up), 70° (Down)
- **Temperature:**  
0°C ~ 50°C (32°F ~ 122°F)
- **LCD MTBF (Hrs):**  
50,000 hours
- **Back Light MTBF (Hrs):**  
50,000 hours

## Touchscreen

- **Type:**  
5-wire, analog resistive
- **Response Time:**  
< 10ms
- **Accuracy:**  
+ - 2.03 mm
- **Resolution:**  
4096 x 4096
- **Light Transmission:**  
Up to 78%
- **Lifetime:**  
Over 35 millions touches
- **MTBF:**  
490,000 hours
- **Operating Pressure:**  
Less than 4 ounces
- **Scratch Resistance:**  
3H
- **Chemical Resistance:**  
Tested with acetone, methylene, isopropyl alcohol, ammonia and others
- **Controller:**  
RS-232 interface
- **OS support:**  
MS DOS, Windows 3.1/95/98/ME/NT/2000/XP

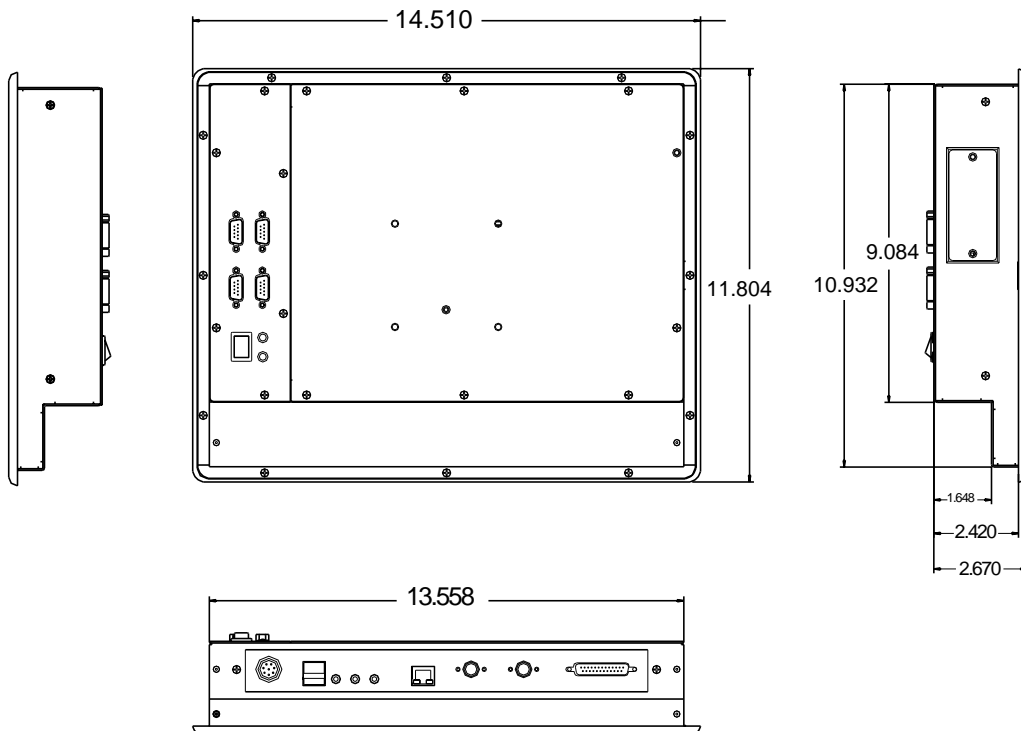
## Ordering Information

- **ARP-2115AP:**  
VESA mount, 15.0" TFT LCD computer
- **DS-075:**  
75 x 75 mm VESA mount desktop stand
- **AS-075:**  
75 x 75 mm VESA mount Arm

## Environmental

- . Operating Temperature:  
0°C ~ 45°C (32°F ~113°F)
- . Storage Temperature:  
-20°C ~ 60°C (-4°F ~ 140°F)
- . Storage Humidity:  
10 ~ 95% @ 40°C, non-condensing
- . Vibration:  
1G / 5 ~ 500Hz / operation
- . Shock:  
10G peak acceleration (11m sec. duration)
- . Dimension (W x H x D):  
14.51" x 11.81" x 2.67"
- . Gross Weight:

## Line Drawing



Arista designs OEM products based on your specifications and requirements. Giving you the features you need at your budget. Our philosophy is to pass on OEM manufacturing savings to you and assure you the best value and quality for your industrial computing demands.

For more information, go to [www.aristaipc.com](http://www.aristaipc.com) or contact our sales team. 510-226-1800